



RADIATION TOLERANT CAMERA

# SC985™

## Color Camera Outstation



### Mid-radiation camera for inspection and surveillance of nuclear containment areas and processes.

The SC985 Color Camera Outstation from Mirion Technologies has been developed to provide a color image for mid-radiation applications in the nuclear industry.

The camera combines high quality images with a robust pan/tilt/zoom platform for inspection and surveillance applications either underwater or in air. The option of on-board LED lights provides additional scene illumination when required.

The radiation tolerance of 10 kGy (1 Mrad) is achieved by utilizing Mirion's Dotcam HR technology, combined with a recent non-browning zoom lens and tungsten shielding. With an easy-to-replace sensor and other parts that are radiation tolerant to 1 MGy (100 Mrad), the outstation delivers a low cost of ownership.

The integrated pan and tilt unit provides full movement and all external surfaces are finished in stainless steel to allow for easy decontamination.

### FEATURES

- ✓ Radiation tolerant to 10 kGy (1 Mrad)
- ✓ Maximum dose rate: 1 kGy/h (100 k rad per hour)
- ✓ High quality color images with resolution of 450TV Lines
- ✓ 10:1 Non-browning clear glass optical zoom lens
- ✓ 1 MGy radiation tolerant pan and tilt unit
- ✓ Option of high intensity LED lighting
- ✓ Stainless steel construction
- ✓ Uses same radiation tolerant cable as R981™ Camera
- ✓ In air or underwater capable

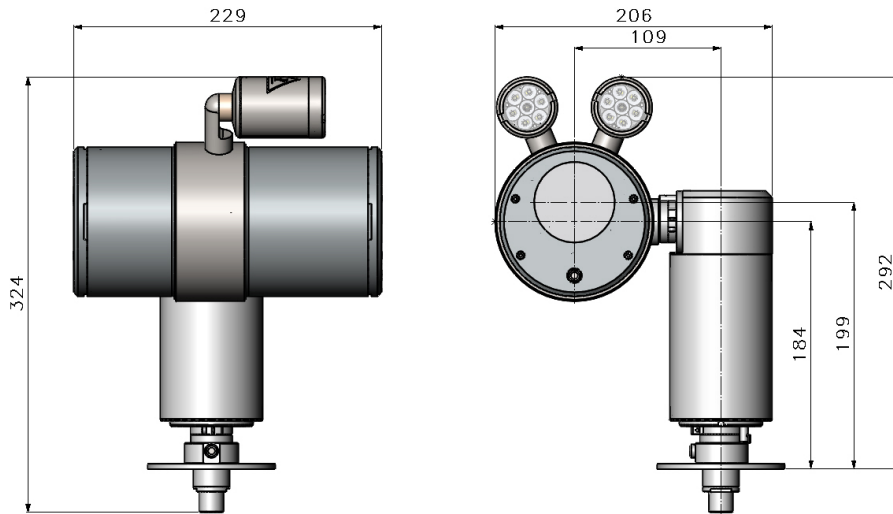


## SC985 COLOR CAMERA OUTSTATION

### SPECIFICATIONS AND PERFORMANCE

- Radiation Tolerance: 10 kGy (1 Mrad) [<sup>137</sup>Cs]
- Radiation Dose Rate: 1 kGy/h (100 k rad/h)
- Resolution: 450 TV Lines horizontal PAL 400 TV Lines, NTSC
- Video Output: 1 V p-p
- Housing: Stainless steel
- Sealing: IP68
- Depth Rating: 60 m
- Operating Temperatures: 0-55 °C
- Pan and Tilt Range: ±180°
- Pan and Tilt Speed: 6 °/s
- Iris: Electronic and manual
- Focus: Manual
- Focus Range: 1.2 to infinity
- Zoom: Non-browning clear glass 6.5-65 mm
- Zoom Range: 10 x optical
- Angle of View (horizontal): 40° (wide), 4° (narrow)
- Minimum Scene Illumination: 10 lux (scene)
- LED Beam Angle: 390
- Weight: 10 kg
- Cable: R981
- Maximum Cable Length: 100 m with R980CAB006, 300 m with R980CAB013
- Camera Control Unit: Single camera control unit or multi-camera sub rack available for interfacing into analogue or IP-based control system

### DIMENSIONS (MM)



**MIRION**  
TECHNOLOGIES

Copyright ©2024 Mirion Technologies, Inc. or its affiliates. All rights reserved. Mirion, the Mirion logo, and other trade names of Mirion products listed herein are registered trademarks or trademarks of Mirion Technologies, Inc. or its affiliates in the United States and other countries. Third party trademarks mentioned are the property of their respective owners.

Specifications may vary according to system configuration. We reserve the right to modify or amend the information herein without prior warning. Please contact your Mirion representative for further information.

Mirion Technologies (IST) Ltd and Mirion Technologies (Imaging), LLC are ISO 9001:2015 certified companies (certificates available on request or at [www.mirion.com](http://www.mirion.com)).

Please note that the products and accessories described in this data sheet may be subject to UK export control or US re-export control. Please check with your authorized representative when enquiring about this product.